



Stand-alone model with 2 poles.

LD240

Customer Display

Clear, Easy-to-read Vacuum Fluorescent Display

ESC/POS and OLE POS Compatible

- Supports 11 command modes included EPSON and Logic Control command.
- Power supply from 5V to 12V to prevent any mindless use of improper power input.
- 20-column x 2-line dot matrix in a wide viewing angle.
- Easy connectivity to a wide range of POS products.
- OPOS / JPOS driver is standard.



Stand-alone model without poles.



Stand-alone model with 1 pole.



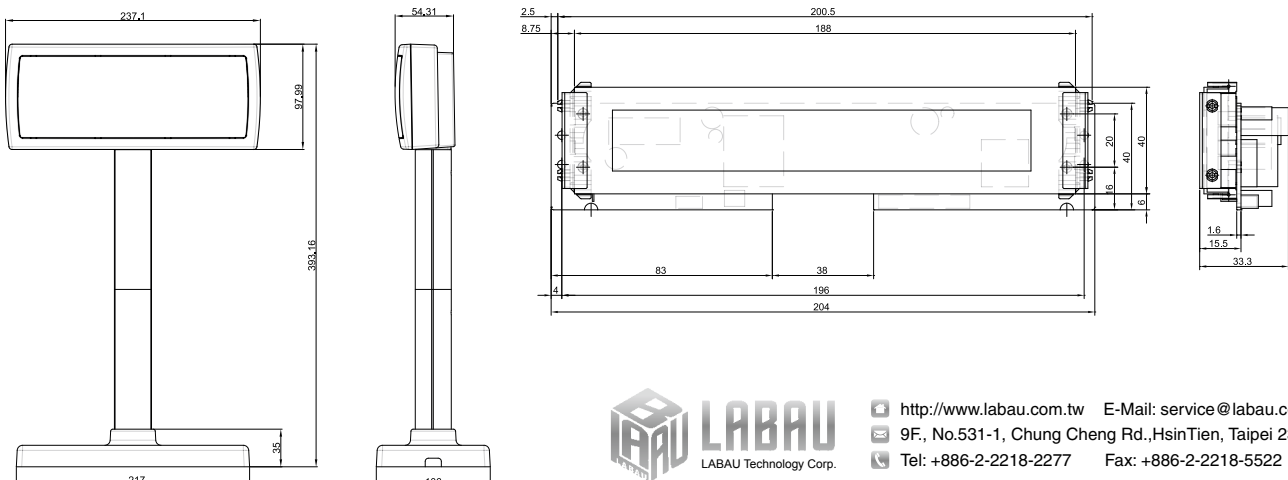
Side Look of Stand-alone model



LD240 Customer Display

Specification

General	Display Method	Vacuum Fluorescent Display (Blue-green)
	Number of characters	40 (20 columns x 2 lines)
	Brightness	500~1000 cd/m ²
	Character font	5 x 7 dot matrix, cursor
	Character type	95 Alphanumeric, 32 International Characters
	Character size	5.5 (H) x 9.2 (W) mm
	Dot Size (X x Y)	0.86 x 1.2 mm
	Download characters	9 characters
	Panel Dimension	220 (W) x 50 (D) x 87 (H) mm
	Pole Dimension	Per support: 130 (L) x 34.5 (Dia) mm
	Base Dimension	217 (W) x 106 (D) x 33 (H) mm
	Viewing Angle	Max. 90°
	Horizontal Rotation	Max. 355°
	Weight	Approx. 980 grams
Commands Mode	UITIMATE, LD220, EPSON POS D101, AEDEX, UTC/S, UTC/P, ADM788, DSP800, CD5220, EMAX, LOGIC CONTROL	
Language Support	US English, Int'l English, Bosnia, Croatian, Czech, Danish, Dutch, Estonian, Faroese, Finnish, Flemish, French, Fr Canadian, German, Greek, Hebrew, Hungarian, Icelandic, Indonesian, Irish, Italian, Katakana, Latvian, Lithuanian, Norwegian, Polish, Portuguese, Romanian, Russian, Slovene, Slovak, Spanish, Swedish...	
Interface	RS-232 (serial) / USB	
Connection	Baud rate	Direct connection 9600 or 19,200 bps
Reliability	MTBF	30,000 hours
Power	Consumption	5~12 VDC
Safety	EMC standards	FCC, CE
	Safety standards	



<http://www.labau.com.tw> E-Mail: service@labau.com.tw
 9F, No.531-1, Chung Cheng Rd., HsinTien, Taipei 231, Taiwan
 Tel: +886-2-2218-2277 Fax: +886-2-2218-5522