

## Mini and Compact Magnetic Stripe Card Reader

**TMSR Series** ( 9.65 cm length )



**TYSSO**®

Insist on the Best



**Program the Reader by software utility,  
Easy to use.**

### FEATURES

The **TMSR** Series are compact decoded magnetic stripe card readers with 9.65 cm length and 3.22 cm height. These are almost the smallest decoded reader in the industry.

Designed with low power Mask IC and single-chip microprocessor technology. The TMSR readers not only provide superior reading performance, but also guarantee more than 300,000 passes. (1,000,000 passes version can be requested)

The readers can be equipped with keyboard wedge, RS-232 serial, or USB interface. Software settings are selectable for carriage return, sending start/stop byte, language/intercharacter delay for keyboard wedge (& USB interface) and RS-232 communication parameters for serial interface.

# TMSR Series

## ◆ SPECIFICATIONS

### Electronics

Power supply : +5VDC±10%  
 Current consumption : <100mA  
 Interface : Keyboard Wedge, RS-232,  
 or USB

### Swipe Function

Swipe Method : F2F ( two-frequency  
 coherent phase ) complied  
 with ISO and JIS standard  
 Swipe Speed : 5 to 60 inch/sec.  
 Card Standard : Track 1, IATA Standard  
 Track 2, ABA Standard  
 Track 3, THRIFT Standard  
 JIS-II, JIS x 6301 Standard  
 Card Density : Track 1.....79 characters  
 (7 bit code)  
 Track 2.....40 characters  
 (5 bit code)  
 Track 3.....107 characters  
 (5 bit code)  
 JIS-II.....79 characters  
 (7 bit code)

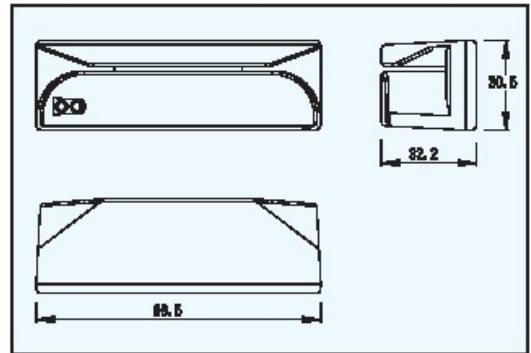
### Physics

Size : 96.5mm (L) x 30.5mm (W) x  
 32.2mm (H)  
 Weight : 57g  
 Cable length : 1.5M  
 Head life : 300,000 pass minimum

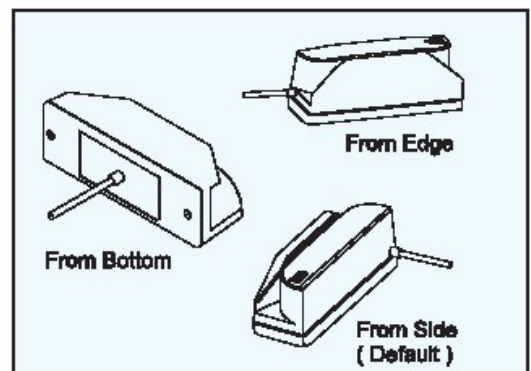
### Others

Storage temperature : -20°C to +60°C  
 Operating temperature : 0°C to +50°C  
 Operating humidity : 20% to 90%

## DIMENSIONS



## CABLE OUTLET OPTIONS



## ◆ MODELS INFORMATION

